

Fraport AG  
Ground Services  
Airfreight/Airmail Transport  
60547 Frankfurt am Main  
Germany

[www.fraport-groundservices.com](http://www.fraport-groundservices.com)



# Temperature-controlled transports

Professional transport  
of temperature-sensitive shipments

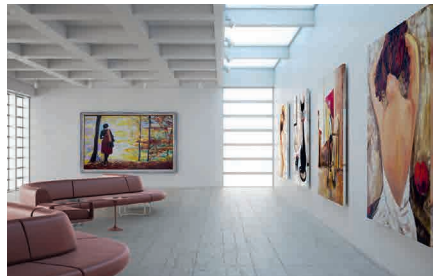


## Temperature-controlled transports – safe, reliable and controlled

We offer the right infrastructure for temperature-controlled transports between handling agent and aircraft, and provide digital shipping documents for your temperature-sensitive freight (e.g. medicines).



Pharmaceuticals



Art



Animals



Astronomical Mirrors

## Fraport temperature-controlled transports services

### Ordering, transportation, and storage

- Web ordering (electronic ordering process)
- Delivery of goods to the handling agent possible within the first hour after on-block
- Temperature-controlled transport of pharmaceuticals, animals, art, mirrors and much more
- Safe and temperature-controlled storage on the apron
- Safety assured by defined emergency procedures and technical warning system
- Central point of contact (24/7)
- Customizable billing models

### Cleaning

- Cleaning after every shipment
- Required disinfection and filter change
- Monthly basic cleaning, disinfection and filter change
- Disinfectants: Wofasteril E400 / Alcapur E1

### Documentation

- Documentation of orders and status reports
- Documentation of servicing, cleaning, disinfection and filter changes





## Safe transport for your temperature-sensitive shipments

### Equipment

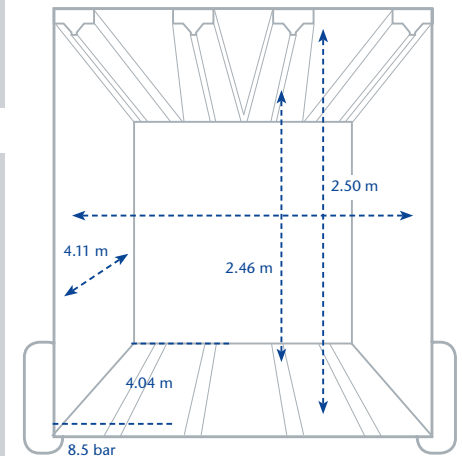
- Temperature cooling and heating from  $-30^{\circ}\text{C}$  to  $+30^{\circ}\text{C}$  (air-conditioning technology from the market leader Carrier)
- Fresh air filtration
- Controllable cargo-hold air circulation
- Inspection hatches on doors
- Pneumatic tires and air suspension
- Height-adjustable loading sill (min. height 45 cm / max. height 61 cm)
- Temperature monitoring using SMS alerts and visual and acoustic alarms for deviations of  $\pm 3^{\circ}\text{C}$  -Temperature

## Dimensions, weight and load

### External dimensions

Height: 3.36 m during operation  
 Width: 3.41 m  
 Length: 8.76 m with drawbar trailer

### Internal dimensions



### Weight and load

Weight: 4,950 kg  
 Maximum load: 5,000 kg

Suitable for all standard ULD:  
 2 x 5 ft ULD  
 1 x 10 ft ULD / pallet

## Trailers for horse transports on the apron

- Daylight window (opens partially)
- Interior LED lighting
- Controllable ventilation system
- Pneumatic tires and air suspension
- Sound and weather insulated
- Height-adjustable loading sill
- Suitable for all standard ULD for equine transports (e.g. AMH)
- Two seats for accompanying persons
- Emergency exit for accompanying persons
- Alarm button

## Your Contacts

### Thorsten Kraus

Senior Manager Cargo and Mail Transport  
Phone: +49 69 690 70119  
Fax: +49 69 690 495 70179  
Mobile: +49 173 6998909  
E-mail: t.kraus@fraport.de

### Stefan Reiss

Manager Operations Cargo and Mail  
Phone: +49 69 690 70904  
Fax: +49 69 690 495 70904  
Mobile: +49 173 6998760  
E-mail: s.reiss@fraport.de

